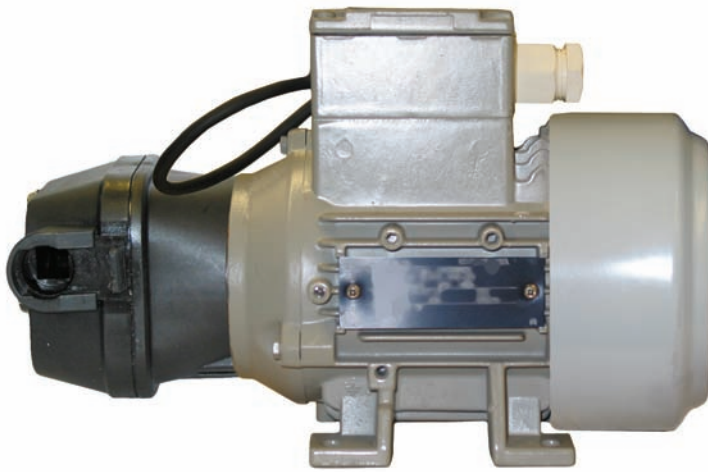


# CLEGHORN WARING FLOJET®

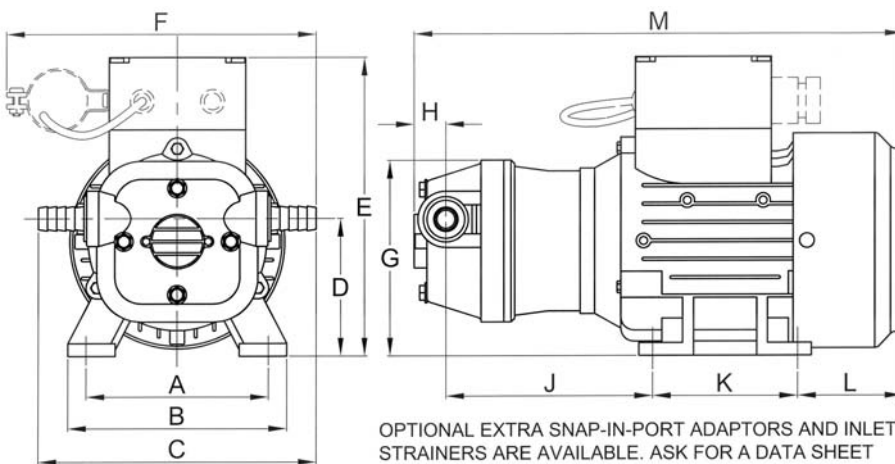
## CW474 SERIES DIAPHRAGM PUMPS with A.C. INDUCTION motors



### Materials of construction:

<b>Pump head:</b>	Glass-filled Polypropylene
<b>Diaphragm:</b>	Santoprene, Geolast
<b>Valves:</b>	EPDM, Nitrile, Viton
<b>Motor Frame:</b>	Painted aluminium
<b>Motor Enclosure:</b>	IP55 standard
<b>Motor Power:</b>	0.12kW

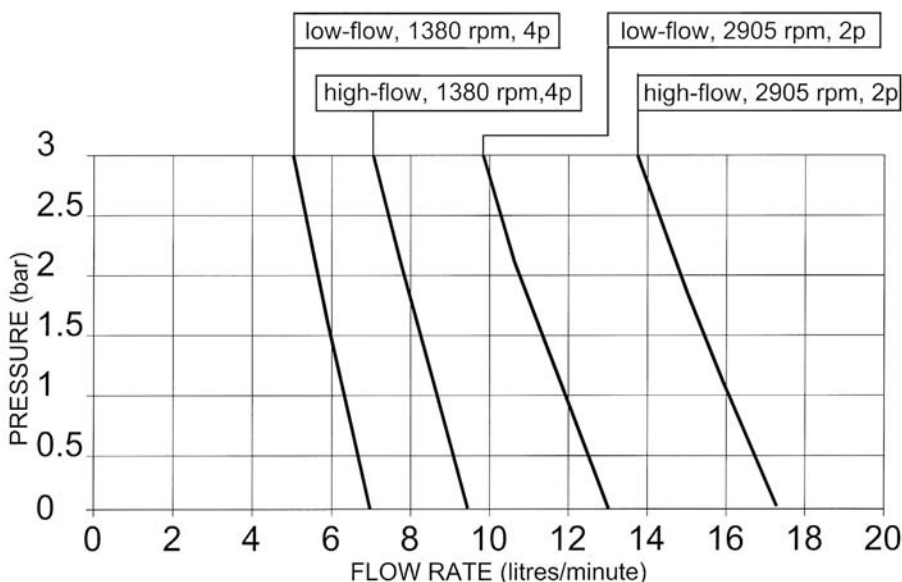
- Flow rates up to 18 litres/minute (4 gall/min)
- Pressures up to 3 bar (43 psi)
- Rapid self-priming up to 1.5m
- For water & light water-based chemicals, diesel & light oils
- Smooth flow
- Can run dry without damage
- Light, compact, portable, tough
- Liquid temperatures 7°C to 54°C
- Seal-less design



*CW474 series diaphragm pumps are AC motorised versions of the versatile and popular low voltage DC diaphragm range.*

DIMENSION	A	B	C	D	E	F	G	H	J	K	L	M
<b>2 POLE</b>	100	120	153	76	164	170	108	18	114	80	58	270
<b>4 POLE</b>	90	110	153	69	145	N/A	101	18	106	70	59	253

- Also available with pressure switch control – see separate data sheet
- 230v/1/50Hz IP55 induction motor
- Choice of elastomer materials



Cleghorn Waring  
Icknield Way  
Letchworth Garden City  
Hertfordshire  
SG6 1EZ

Tel: 01462 480380  
Fax: 01462 482422  
mail@cleghorn.co.uk  
www.cleghorn.co.uk